



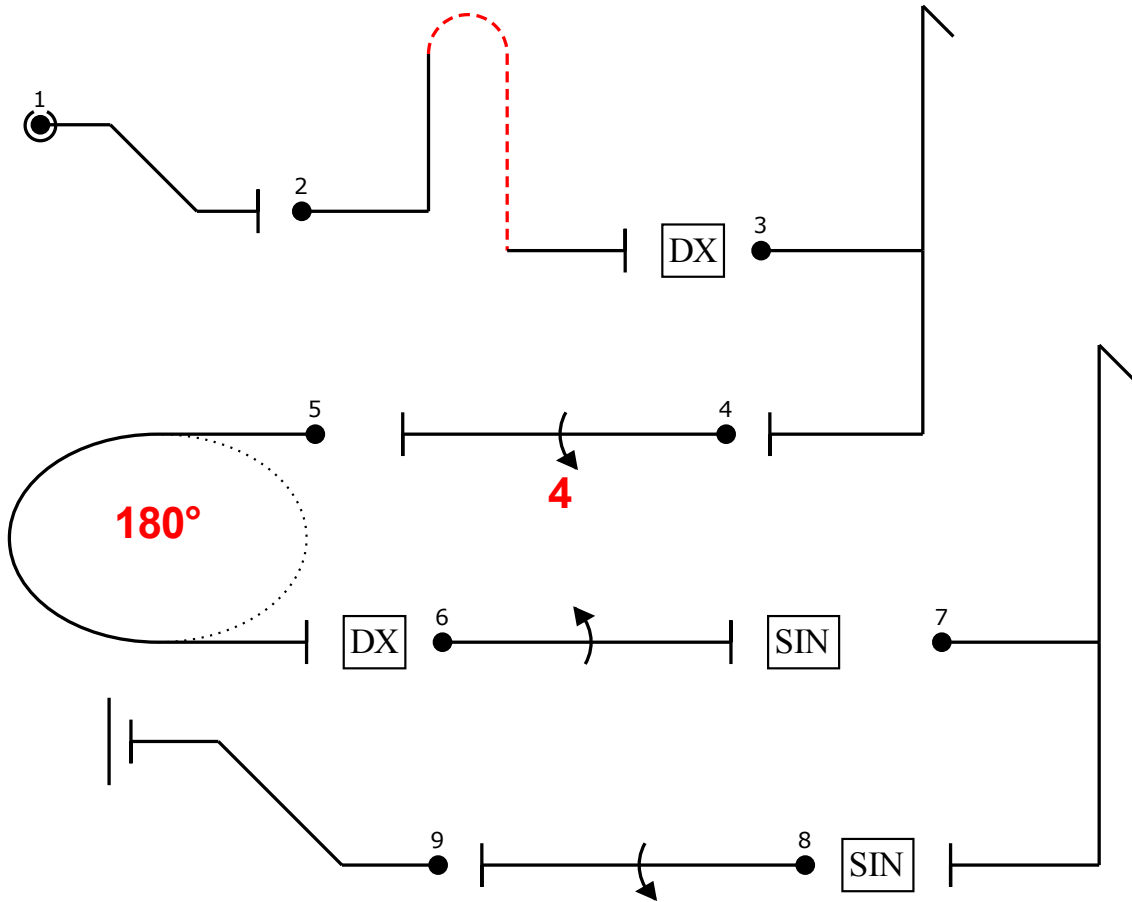
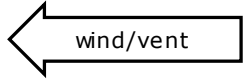
	<b>Form A</b>
Pilot ID	Flight #
<b>CIVA Glider INTERMEDIA</b>	

No	Symbol	Cat. No.	K	Total K	Marks	Remarks	Pos	Item	K	Grade
1		<b>1.1.2.3</b>	<b>7</b>	7				Pos.		
								Harm.		
2		<b>8.4.3.1</b>	<b>15</b>	15				Fig K	Total K	
								<b>114</b>	<b>114</b>	
								<b>Penalties</b>		
3		<b>5.2.1.1</b>	<b>17</b>	17				Too Low		
								Disqual Fig		
								Too High		
								Outs		
								Interruptions		
4		<b>1.1.1.1</b> <b>9.4.3.4</b>	<b>2</b> <b>17</b>	19				Insertions		
								Missed Slot		
								Trg Violation		
								Faulty Wing Rocks		
								<b>Final Freestyle</b>		
5		<b>2.2.1.1</b>	<b>4</b>	4				Duration	Min	Sec
6		<b>1.1.1.1</b> <b>9.1.3.4</b>	<b>2</b> <b>12</b>	14				<b>Judges Details</b>		
								Signature		
								Name		
7		<b>5.2.1.1</b>	<b>17</b>	17				Number		
8		<b>1.1.1.1</b> <b>9.1.3.4</b>	<b>2</b> <b>12</b>	14						
9		<b>1.1.2.1</b>	<b>7</b>	7						

\_\_\_\_\_ Pilot  
 ..... A/C

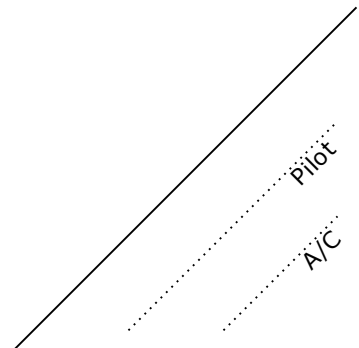


		Form B
Pilot ID	CIVA Glider INTERMEDIA	Flight #



Glider			
Fig 1	1.1.2.3	7	7
Fig 2	8.4.3.1	15	15
Fig 3	5.2.1.1	17	17
Fig 4	1.1.1.1 9.4.3.4	2 17	19
Fig 5	2.2.1.1	4	4
Fig 6	1.1.1.1 9.1.3.4	2 12	14
Fig 7	5.2.1.1	17	17
Fig 8	1.1.1.1 9.1.3.4	2 12	14
Fig 9	1.1.2.1	7	7
<b>Total K = 114</b>			

-3% id -1% pb "DX" 4% ~h~ 2% ~44~ (0,0) 7% 2j 6% "DX" 1 7% "SIN" 3> h 8% "SIN" 1 d





		Form C
Pilot ID	CIVA Glider INTERMEDIA	Flight #

