



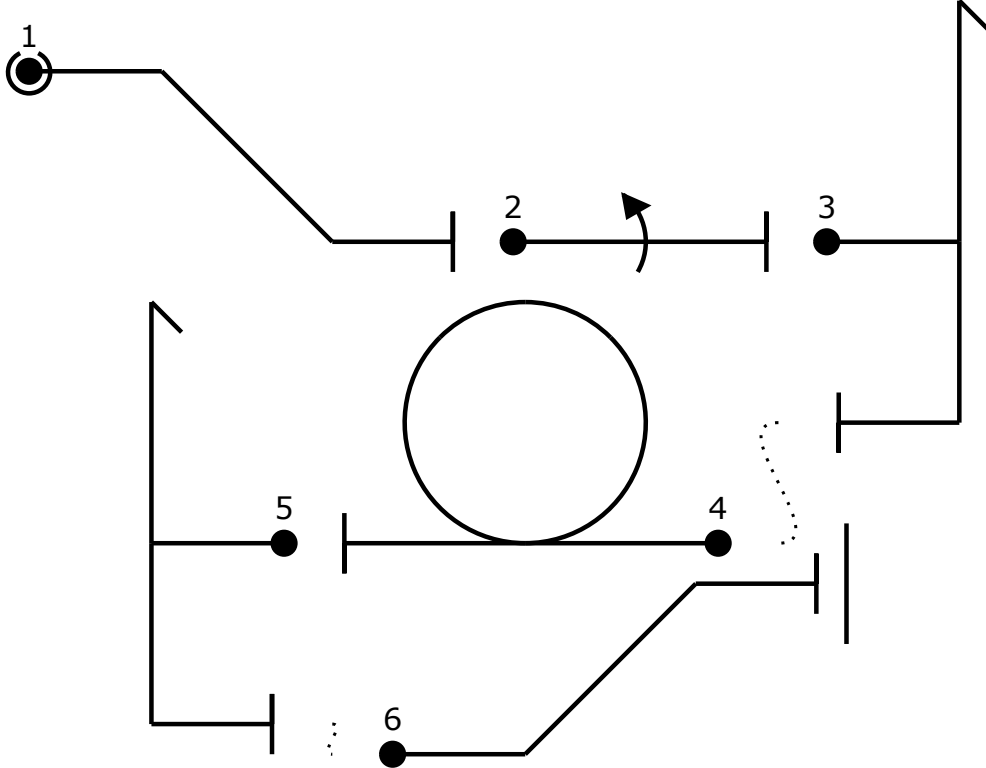
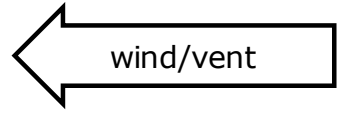
		<b>Form A</b>
Pilot ID	<b>CIVA Glider PROMOZIONE</b>	Flight #

No	Symbol	Cat. No.	K	Total K	Marks	Remarks	Pos	Item	K	Grade
<b>1</b>		<b>1.1.2.3</b>	<b>7</b>	7				Pos.		
								Harm.		
								Fig K	Total K	
<b>2</b>		<b>1.1.1.1</b> <b>9.1.3.4</b>	<b>2</b> <b>12</b>	14				72	72	
								<b>Penalties</b>		
								Too Low		
<b>3</b>		<b>5.2.1.1</b>	<b>17</b>	17				Disqual Fig		
								Too High		
								Outs		
<b>4</b>		<b>7.4.1.1</b>	<b>10</b>	10				Interruptions		
								Insertions		
								Missed Slot		
<b>5</b>		<b>5.2.1.1</b>	<b>17</b>	17				Trg Violation		
								Faulty Wing Rocks		
								<b>Final Freestyle</b>		
<b>6</b>		<b>1.1.2.1</b>	<b>7</b>	7				Duration	Min	Sec
								<b>Judges Details</b>		
								Signature		
								Name		
								Number		

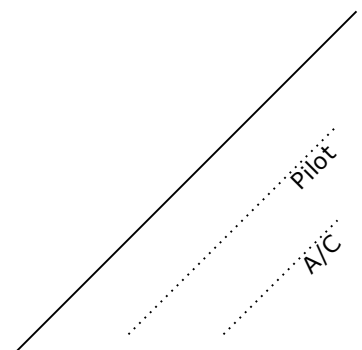
\_\_\_\_\_ Pilot  
 ..... A/C



		Form B
Pilot ID	CIVA Glider PROMOZIONE	Flight #



Glider			
Fig 1	1.1.2.3	7	7
Fig 2	1.1.1.1 9.1.3.4	2 12	14
Fig 3	5.2.1.1	17	17
Fig 4	7.4.1.1	10	10
Fig 5	5.2.1.1	17	17
Fig 6	1.1.2.1	7	7
<b>Total K = 72</b>			





		Form C
Pilot ID	CIVA Glider PROMOZIONE	Flight #

